

2.8 cu. ft. Compact All-in-One Washer & Dryer Combo

- All-in-One Washer/Dryer Combination
- Inverter Heat Pump Drying
- Ventless Design
- 2.8 cu. ft. Capacity
- Quick Circle LCD Display Controls 2 Washers
- Auto Dosing System
- TurboWash® Technology
- Steam Technology & Allergiene™ Cycle
- 17 Cycles / 9 Options
- 20-Year Warranty on Inverter Direct Drive Motor
- LG ThinQ® Technology (Wi-Fi)

COLOR AVAILABILITY

- LUWM101HWA – White

CAPACITY & MATCHING DRYERS

Capacity (cu. ft.)	2.8
Matching Electric Dryer	N/A
Matching Gas Dryer	N/A

APPEARANCE

On-Door Electronic Control Panel with LCD Display	Yes (One control panel operates both combo and SideKick™)
Quick Circle User Interface	Yes
Touch Buttons	Yes

ENERGY & WATER

ENERGY STAR® Qualified	No
CEE Qualified	No

CYCLES

Number of Cycles	17
Wash Cycles	Cotton/Normal, Speed Wash, Heavy Duty, Auto Wash, Perm. Press, Wool, Allergiene™, Sanitary, Speed Wash + Dry, Baby Wear, Outdoor, Delicate, Tub Clean, Rinse+Spin, Spin, Bulky/Large, Cotton+

OPTIONS

Number of Options	9
Options	TurboWash®, Prewash, Hygienic Rinse, FreshCare™, Delay Wash, Add Garment, Auto Dispense, Extra Rinse, Child Lock

LG SIGNATURE



WASH DETAILS

Internal Heater	Yes
Number of Wash/Rinse Temps	5
Wash/Rinse Temps	Extra Hot, Hot, Warm, Cold, Tap Cold (All Cold Rinses)
Number of Spin Speeds	5
Spin Speeds	Extra High, High, Medium, Low, No Spin
Max RPM	1,600
Water Levels	Load Sensing
Number of Soil Levels	5
AAFA Certified	No

DRY DETAILS

Ventless Inverter Heat Pump Drying	Yes
Automatic Dry Cycles	Normal, Outdoor, Time Dry, Wash+Dry, Perm. Press, Delicates
Time Drying	120 min, 90 min, 60 min, 30 min
Normal Drying	Yes
Turbo Drying	Speed Dry

FABRIC CARE

Wash Technology	TurboWash® 2.0
Steam Technology	Yes
Allergiene™ Cycle	Yes
Sanitary Cycle	Yes
ColdWash™ Option	No

CONVENIENCE

Centum System™	Yes
Auto Dosing System	Yes (Full Tank Provides Up to 20 Washings)
Dispenser Type	Auto Dispense Tray (Detergent, Fabric Softener), Manual Dispenser (Detergent)

CONVENIENCE CONTINUED

Quiet Operation	Yes (66 dB)
End of Cycle Signal	Yes
Child Lock	Yes
Drum Light	Yes
4 Adjustable Leveling Legs	Yes
ADA Compliant	No

SMART FEATURES

Wi-Fi Enabled	Yes
ThinQ®	Yes
ThinQ Care	No
Voice Control	Google Assistant, Amazon Alexa
SmartDiagnosis™	Yes
Remote Start and Cycle Monitor	Yes

MOTOR AND AGITATOR

Motor Type	Inverter Direct Drive Motor
Axis	Horizontal

MATERIALS AND FINISHES

NeveRust™ Stainless Steel Drum	Yes
Door / Rim	Glass
Door Cover	Dark Black Tinted Round Cover

TECHNICAL SPECS

Electrical Requirements	120V, 60 Hz, 10 Amps
Type	Electric
Power Outlet Location	Within 60" of Either Side
Plug Type	3-Prong (Cord Attached to Unit)
Min. / Max. Water Pressure	20 - 120 psi

INCLUDED ACCESSORIES

Drain Hose, Hot/Cold Water Hoses, Non-Skid Pads, Hole Caps, Wrench, Tie Strap, Elbow Bracket (for Securing Drain Hose), Collapsible Manual Dispenser

OPTIONAL ACCESSORIES

LG Sidekick™ Pedestal Washer	LUWD1CW
LG Sidekick™ Pedestal Washer (W x H x D)	23 1/2" x 14 1/2" x 26"
Stacking Kit	Not Stackable

DIMENSIONS

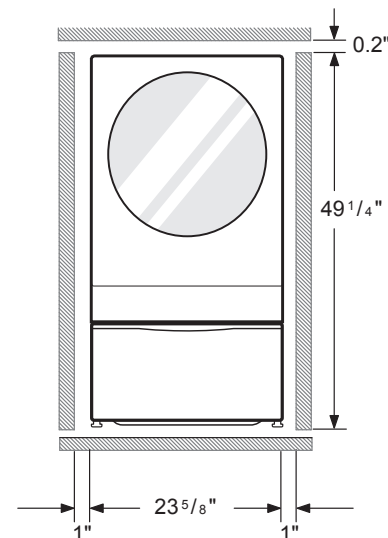
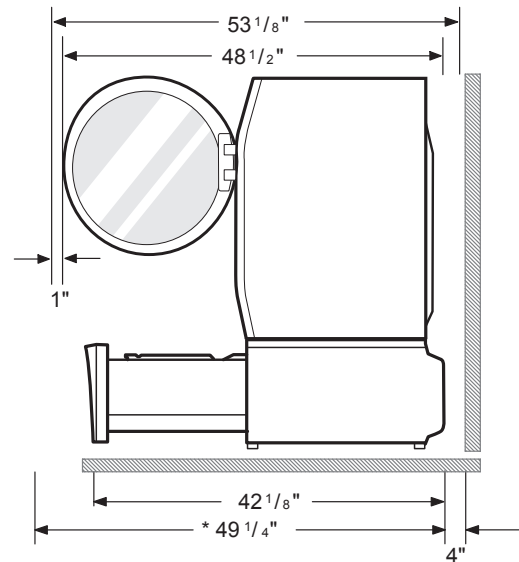
Product (W x H x D)	23 5/8" x 33 1/2" x 26 1/2"
Depth with Door Open	47"
Cutout Dimensions (W x H x D)	25 5/8" x 33 11/16" x 30 1/2"
Carton Dimensions (W x H x D)	26" x 35 3/4" x 27 3/4"
Approx. Weight (Product / Carton)	208 lbs. / 218 lbs.

LIMITED WARRANTY

Parts and Labor	1 Year
Direct Drive Motor	20 Years (Parts Only)
Drum	Lifetime (Parts Only)

DIMENSIONS / CLEARANCES

FLOOR INSTALLATION



INSTALLATION NOTES

- To ensure sufficient clearance for water lines, the drain line and airflow, allow minimum clearances of at least 1 inch (2.5 cm) at the sides. Be sure to allow for wall, door, or floor moldings that may increase the required clearances.
- Install the washing machine on a solid floor that is strong and rigid enough to support the weight of the washing machine, even when fully loaded, without flexing or bouncing. If the floor has too much flex, you may need to reinforce it to make it more rigid. If the floor is not solid, it may cause severe vibration and noise.
- If installing with an optional SideKick™ pedestal washer, refer to the instructions packaged with pedestal for dimensions and clearances.